

Series P77

Single Pressure Controls for Refrigeration, Air-conditioning and Heatpump Applications

Product Bulletin

These pressure controls are designed for use in a variety of applications involving refrigeration high or low pressure. Models supplied have a "whole range" design, enabling them to be used with refrigerants R22, R134A, R404A, R410A, CO₂ and all other non-corrosive refrigerants which are within the operating range of the control. They may also be used for other high or low pressure applications such as air, water etc. Models which can be used with ammonia are included in the program. Also models tested and approved to PED 97/23/EC Cat. IV (supersedes DIN and TUV approval) are included in the program.

The P77 series pressure controls may be used for control functions or limit functions, depending on model number. All models are provided with alarm contacts. All standard models have phosphor bronze bellows and brass pressure connections. Models for use with ammonia are provided with stainless steel bellows and connectors. Devices conforming to PED 97/23/EC Cat. IV (HP models) have the fail-safe function with double bellows.

Their IP54 classification means that these pressure controls are suitable for almost all applications.



- **Gold plated contacts**

For low current applications custom models with gold plated contacts may be requested. Contact your salesman.

- **Generous wiring space**

Easy wiring and maintenance

- **Splash-proof enclosure (IP54)**

Can be used for indoor/outdoor applications

- **SPDT contacts are provided as standard on single pressure controls**

Can be wired for alarm functions

- **Trip-free manual reset**

Override is not possible in the control function

IMPORTANT: The controls are intended to control equipment under normal operating conditions. Where failure or malfunctioning of the controls could lead to an abnormal operating condition that could cause personal injury or damage to the equipment or other property, other devices (limit or safety controls) or systems (alarm or supervisory systems) intended to warn of or protect against failure or malfunctioning of the controls must be incorporated into and maintained as part of the control system.

Type number matrix

| | |
|---------------|---------------------------------------------------------------|
| P77AAA | Automatic reset |
| P77BCA | Open low - manual reset |
| P77BEA | Open high - manual reset |
| P77AAW | HP or LP Limit (Auto. Reset) HP conforming to PED 97/23/CE |
| P77BEB | HP Limit (Manual Reset) conforming to PED 97/23/CE |
| P77BES | HP Safety Limit (Manual Reset) conforming to PED 97/23/CE |
| P77BCB | LP Limit (Manual Reset) including lockplate assy |

Mounting

Mounting can easily be done with mounting bracket 271-51L (order separately) or directly on a surface. Mounting holes 4,5 mm Ø and M4 holes are provided.

Adjustment

Adjustment of range and differential can be done by turning the hexagonal range screw and differential screw. Manual reset models have a range screw only. The adjustment screw can also be locked by a lock plate accessory (KIT023N600). The lock plate is included with those devices which are conform to PED 97/23/EC Cat. IV.

On all models the scale indicates the high switch point (Except type P77BCA, P77BCB, here the scale indicates the low (cut-out) switch point). The low switch point can be derived by deducting the differential value from the high switch point.

Contact functions (see also "Type Number Selection" tables)

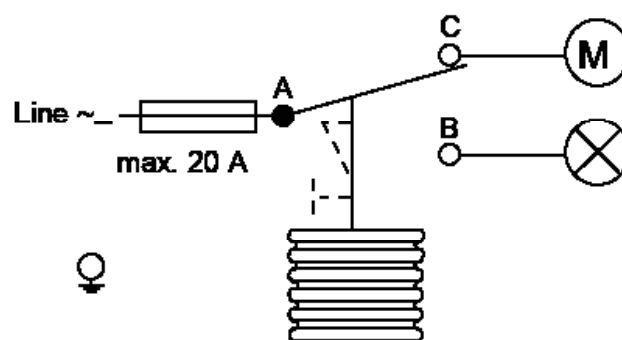


Figure 1: A - C open on pressure decrease

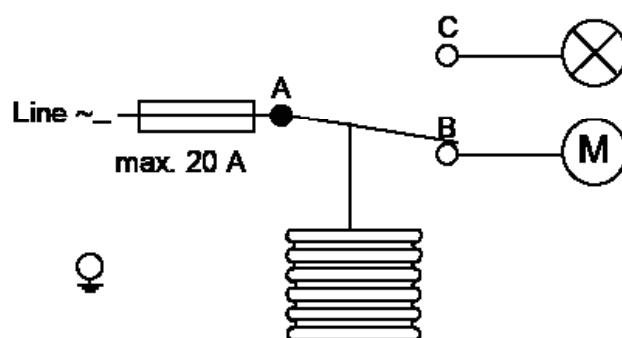


Figure 2: A - B open on pressure increase

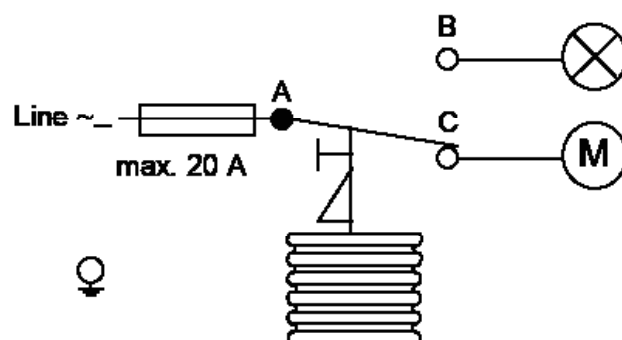


Figure 3: A - C open on pressure increase

Optional construction note

If your requirements are not in the type number selection table, then please contact your Johnson Controls representative.

Repair and replacement

Repair is not possible. In case of an improperly functioning control, please check with your nearest supplier. When contacting the supplier for a replacement you should state the type/model number of the control. This number can be found on the data plate or cover label.

Type Number Selection tables

Pressure controls for Non-corrosive refrigerants

| Family Code | Style 5 | | Style 28 | Style 30 | Range (bar) | Diff. (bar) | Contact function (Figure) | Max Bellows Pressure |
|-------------|------------|----------|----------|------------|-------------|-------------|---------------------------|----------------------|
| | Ind. Pack. | Bulkpack | Bulkpack | Ind. Pack. | | | | |
| P77AAA | -9300 | -9320 | -9800 | -9400 | -0.5 to 7 | 0.6 to 3 | 1 | 22 |
| | -9301 | --- | --- | --- | -0.2 to 10 | 1 to 4.5 | 1 | 15 |
| | -9302 | --- | --- | --- | -0.3 to 2 | 0.4 to 1.5 | 1 | 4 |
| | -9350 | -9370 | -9850 | -9450 | 3 to 30 | 3 to 12 | 2 | 33 |
| | -9351 | -9371 | --- | -9451 | 3.5 to 21 | 2.1 to 5.5 | 2 | 30 |
| P77BCA | -9300 | -9320 | --- | -9400 | -0.5 to 7 | Man. res.** | 1 | 22 |
| P77BEA | -9350 | -9370 | --- | -9450 | 3 to 30 | Man. res.* | 3 | 33 |

** Resetable at 0.5 bar above cut-out point

* Resetable at 3 bar below cut-out point

Pressure controls for Ammonia and Non-corrosive refrigerants

| Family Code | Style 15 | | Range (bar) | Diff. (bar) | Contact function (Figure) | Max Bellows Pressure |
|-------------|------------|----------|-------------|-------------|---------------------------|----------------------|
| | Ind. Pack. | Bulkpack | | | | |
| P77AAA | -9700 | --- | -0.5 to 7 | 0.6 to 3 | 1 | 14 |
| P77AAA | -9750 | --- | 3 to 30 | 3.5 to 12 | 2 | 33 |
| P77BCA | -9700 | --- | -0.5 to 7 | Man. res.** | 1 | 14 |
| P77BEA | -9750 | --- | 3 to 30 | Man. res.* | 3 | 33 |

** Resetable at 0.5 bar above cut-out point

* Resetable at 3 bar below cut-out point

Note: 100 kPa = 1 bar ≈ 14.5 psi

Pressure controls for Non-corrosive refrigerants

(Wächter, Begrenzer, Sicherheitsdruckbegrenzer including lockplate assy)

| Family Code | Style 5 | | Style 28 | Range (bar) | Diff. (bar) | Contact function (Figure) | Max Bellows Pressure | Approved according to PED 97/23/EC Cat. IV |
|-------------|------------|----------|------------|-------------|--------------|---------------------------|----------------------|--------------------------------------------|
| | Ind. Pack. | Bulkpack | Ind. Pack. | | | | | |
| P77AAW | -9300 | -9320 | -9800 | -0.5 to 7 | 0.6 to 3 | 1 | 22 | --- |
| | -9350 | -9370 | -9850 | 3 to 30 | 3.5 to 12 | 2 | 33 | Yes |
| | -9355 | --- | -9855 | 3 to 42 | 4 to 12 | 2 | 47.6 | Yes |
| P77BCB | -9300 | -9320 | -9800 | -0.5 to 7 | Man. res. ** | 1 | 22 | --- |
| P77BEB | -9350 | -9370 | -9850 | 3 to 30 | Man. res. * | 3 | 33 | Yes |
| | -9355 | --- | -9855 | 3 to 42 | Man. res. * | 3 | 47.6 | Yes |
| P77BES | -9350 | -9370 | -9850 | 3 to 30 | Man. res. * | 3 | 33 | Yes |

** Resetable at 0.5 bar above cut-out point

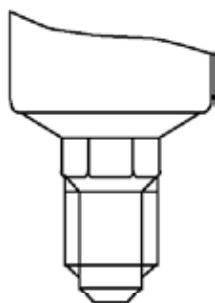
* Resetable at 3.5 bar below cut-out point

**Pressure controls for Ammonia and Non-corrosive refrigerants,
(Wächter, Begrenzer, Sicherheitsdruckbegrenzer including lockplate assy)**

| Family Code | Style 15 | | Range (bar) | Diff. (bar) | Contact function (Figure) | Max Bellows Pressure | Approved according to PED 97/23/EC Cat. IV |
|-------------|------------|----------|-------------|-------------|---------------------------|----------------------|--------------------------------------------|
| | Ind. Pack. | Bulkpack | | | | | |
| P77AAW | -9700 | --- | -0.5 to 7 | 0.6 to 3 | 1 | 14 | --- |
| | -9750 | --- | 3 to 30 | 3.5 to 12 | 2 | 33 | Yes |
| P77BEB | -9750 | --- | 3 to 30 | Man. res.* | 3 | 33 | Yes |
| P77BES | -9750 | --- | 3 to 30 | Man. res.* | 3 | 33 | Yes |

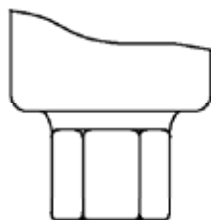
* Resetable at 3.5 bar below cut-out point

Pressure Connection



Style 5

Male connector
7/16" - 20 UNF for 1/4
6 mm flare nut.



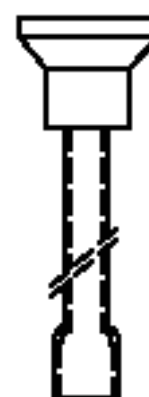
Style 15

Female connector
1/4" - 18 NPT



Style 28

Braze connection
6 mm ODM



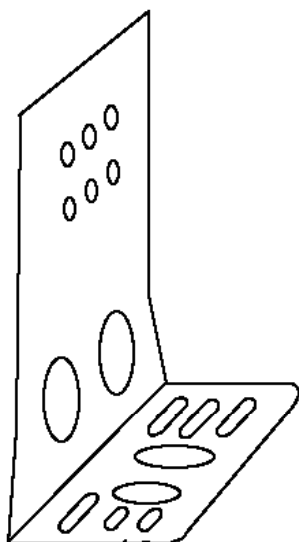
Style 30

Braze connection
1/4 ODF

Accessories (optional)

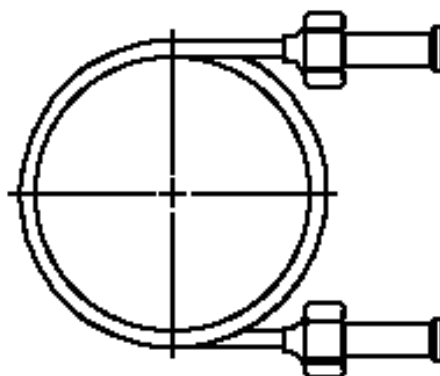


| Ordering Codes | Application | Description |
|--------------------|---------------------------------|---------------------------------------|
| CNR003N001R | For 6 mm copper or steel tubing | Fit into style 15 pressure connectors |
| CNR003N002R | For 8 mm copper or steel tubing | |



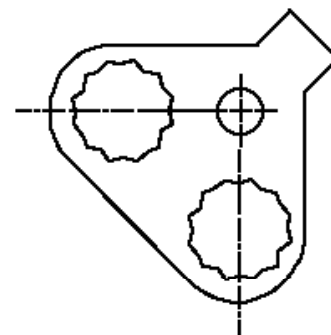
Mounting bracket

Order number
271-51L



**90 cm Capillary
with (2) flare nuts (1/4" SAE)**

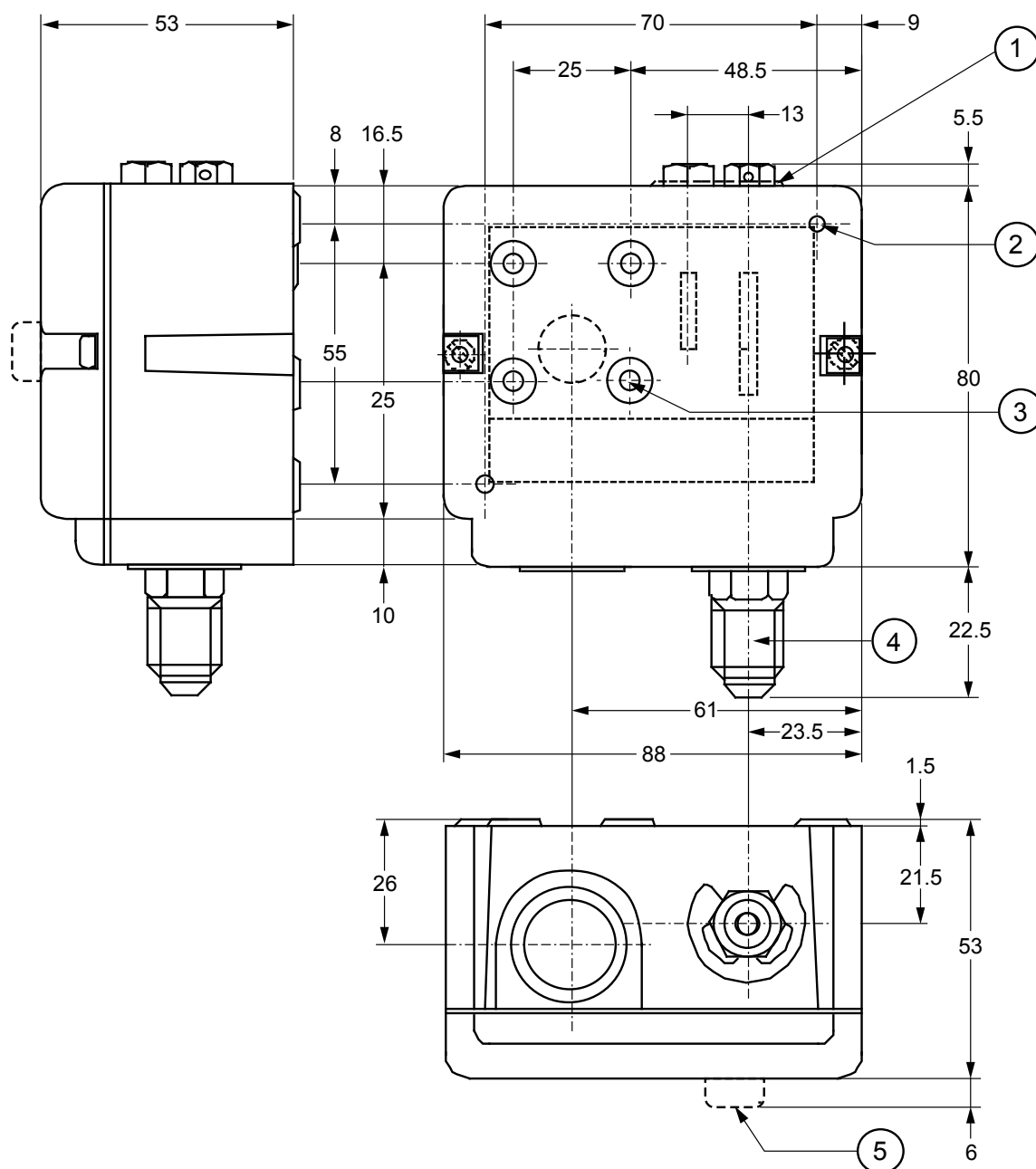
Order number
SEC002N600



Locking kit

Order number
KIT023N600

Dimensions in mm (Style 5 and Style 15)



1. Lock plate (if applied)
2. Two mounting holes \varnothing 4.5 mm (knock out)
3. Four mounting holes \varnothing M4 (back side)
4. Power element: Style 5: 7/16" -20 UNF male (shown)
Style 15: 1/4" -18 NPT female
5. Reset button

Technical Specifications

| | |
|-----------------------------------|----------------------------------------------------------------------------------------------------------------------------------------------------------------------------------------------------------------------------------------------------------|
| Pressure Connections | Style 5, 15, 28, 30 (see drawings) |
| Operating Ranges and diff. | See "Type Number Selection tables" |
| Adjustments | See "Type Number Selection tables" |
| Ambient Temperature limit | -50 to +55 °C (+70 °C max. duration two hours) -20 to +55 °C for PED approved models |
| Electrical Ratings | 400 Vac 16(10) A 220 Vdc 12 W (pilot duty only) |
| Pulsation Plug | Fitted into all HP bellows on models with range 3.5 to 21 bar and up |
| Locking plate and screw | To lock and seal range and/or differential screw. Standard on types P77AAW, BEB, BES and BCB. Optional on all other types (quantity orders only) |
| Protection Class | IP54 |
| Material | |
| Case and Cover | Weatherproof aluminium (die-cast) |
| Contact Unit | Large silver nickel contact surface |
| Accessories (see pag. 5) | Mounting bracket Compression coupling 90 cm capillary with two flare nuts |
| Shipping Weight | |
| | ind. pack 0.5 kg. |
| | -93xx Ind. overpack 36 pcs. (19 kg) |
| | -97xx Bulk pack 35 pcs. (18 kg) |
| | -94xx Ind. overpack 16 pcs. (9 kg) |
| | -98xx |
| CE Compliance | Johnson Controls, Inc., declares that these products are in compliance with the essential requirements and other relevant provisions of the EMC Directive 2004/108/EC and Low Voltage Directive 2006/95/EC. Pressure Equipment Directive 97/23/EC Cat IV |

The performance specifications are nominal and conform to acceptable industry standards. For application at conditions beyond these specifications, consult the local Johnson Controls office. Johnson Controls, Inc. shall not be liable for damages resulting from misapplication or misuse of its products.