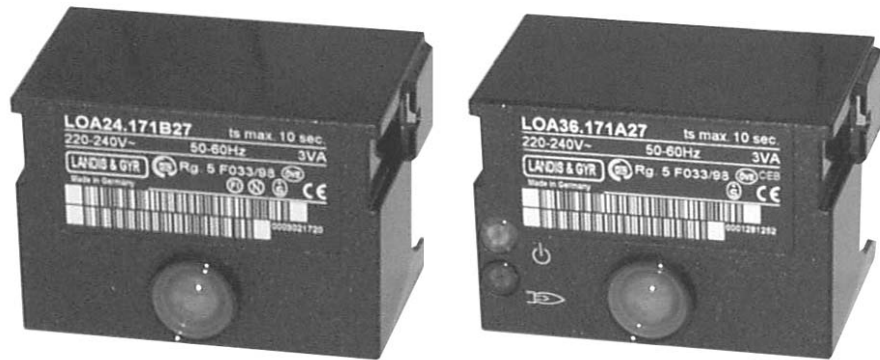




ISO 9001  
CE



LOA2...

LOA3...

## Oil Burner Controls

**LOA2...**  
**LOA3...**

Oil burner controls for the supervision, startup and control of single- or 2-stage forced draft oil burners in intermittent operation.  
Oil throughput up to 30 kg/h.

The LOA2... / LOA3... and this Data Sheet are intended for use by OEMs which integrate the oil burner controls in their products.

### Use, features

Use	<p>The LOA... are used for the startup, supervision and control of single- or 2-stage forced draft oil burners in intermittent operation. Yellow-burning flames are supervised with photoresistive detectors QRB..., blue-burning flames with blue-flame detectors QRC...</p> <ul style="list-style-type: none"> <li>- Forced draft oil burners conforming to EN 267</li> <li>- Oil atomization burners as monoblocks conforming to EN 230</li> </ul>
General features	<ul style="list-style-type: none"> <li>- Undervoltage detection</li> <li>- Bridging contact for oil preheater (not with LOA28.173A27)</li> </ul>
Specific features	<ul style="list-style-type: none"> <li>- Special versions including models for incinerator plant and flash-steam generators</li> <li>- LOA36... with color LED for indicating flame strength and operation</li> </ul>

## Warning notes

---



**To avoid injury to persons, damage to property or the environment, the following warning notes should be observed!**

### **Do not open, interfere with or modify the unit!**

- Before performing any wiring changes in the connection area of the LOA..., completely isolate the unit from the mains supply (all-polar disconnection)
- Ensure protection against electric shock hazard by providing adequate protection for the burner control's connection terminals
- Check to ensure that wiring is in an orderly state and that the wires are firmly connected
- Press the lockout reset button / operating button only manually (applying a force of no more than 60 N), without using any tools or pointed objects
- Fall or shock can adversely affect the safety functions. Such units may not be put into operation, even if they do not exhibit any damage

## Mounting notes

---

- Ensure that the relevant national safety regulations are complied with

## Installation notes

---

- Installation and commissioning work must be carried out by qualified staff
- Do not mix up live and neutral conductors
- Always run high-voltage ignition cables separately while observing the greatest possible distance to the unit and to other cables

## Electrical connection of flame detectors

---

It is important to achieve practically disturbance- and loss-free signal transmission:

- Never run the detector cable together with other cables
  - Line capacitance reduces the magnitude of the flame signal
  - Use a separate cable
- Observe the permissible lengths of the flame detector cables (refer to Data Sheets 7714 (QRB...) and 7716 (QRC...))

## Commissioning notes

---

- Commissioning work must be carried out by qualified staff
- When commissioning the plant, when carrying out maintenance work, or after longer off periods, make the following safety checks:

	<b>Safety check</b>	<b>Anticipated response</b>
a)	Burner startup with flame detector darkened	Lockout at the end of «TSA»
b)	Burner startup with flame detector exposed to extraneous light	Lockout after approx. 40 seconds
c)	Simulation of flame failure during operation. For that purpose, darken the flame detector during operation and maintain this state	Repetition followed by lockout at the end of «TSA»

## Standards

Conformity to EEC directives  
 Electromagnetic compatibility EMC (immunity) 89 / 336 EEC  
 Low-voltage directive 73 / 23 EEC

## Service notes

- Maintenance work must be carried out by qualified staff
- Each time a unit has been replaced, check wiring to ensure it is in an orderly state and that the wires are firmly connected; make the safety checks as indicated in «Commissioning notes» above
- Use the KF... test adapters for short periods of time only

## Disposal notes



The unit contains electrical and electronic components and may not be disposed of together with household waste.  
 Local and currently valid legislation must be observed.

## Mechanical design

The housing is made of impact-proof, heat-resistant and flame-retarding plastic.  
 The oil burner control is of plug-in design and engages audibly in its base.

The housing accommodates the

- thermal-electric sequence switch
- flame signal amplifier with the flame relay
- lockout reset button with its integrated fault indication lamp

## Type summary

The type references given below apply to burner controls without base and without flame detector.

Version	Type reference	Voltage (VAC)	Under-voltage detection	CE	t1	t3	TSAmax.	t3n	t3n'	t4	Replacement for
Standard version	LOA24.171B27 <sup>2)</sup>	220	X	x	13	13	10	15	---	15	LAI2.3
	LOA24.171B17 <sup>2)</sup>	110	X	x	13	13	10	15	---	15	
	LOA24.173A27	220	X	x	13	13	10	20	2	20	LAI2.3
	LOA24.174A27	220	X	x	13	13	10	35	2	35	---
With remote reset facility	LOA26.171B27 <sup>2)</sup>	220	X	x	13	13	10	15	---	15	---
	LOA36.171A27	220	X	x	13	13	10	15	---	15	---
For flash-steam generators	LOA24.571C27	220	X	x	6	6	10	20	---	20	LAI5
For incinerator plant	LOA25.173C27 <sup>1)</sup>	220	X	---	13	13	10	---	2	15	LAB2
	LOA25.173C17 <sup>1)</sup>	110	X	---	13	13	10	---	2	15	
	LOA28.173A27 <sup>1)</sup>	220	X	---	13	13	10	---	2	15	---

Legend <sup>1)</sup> LOA25... and LOA28... are designed for use on incinerator plant where lockout by extraneous light is not desired. These types of oil burner controls are not covered by EN 230

<sup>2)</sup> IRD1010 infrared flicker detectors can also be used

t1 Prepurge time

t3 Preignition time

t3n Long postignition time

t3n' Short postignition time

t4 Interval from establishment of flame to the release of «BV2»

TSA Ignition safety time

**Oil burner control** without plug-in base refer to «Type summary»

**Electrical connections**

refer to Data Sheet 7201

- Plug-in base AGK11...
- Cable holders AGK65..., AGK66, AGK67...
- Cable strain relief elements for AGK67...

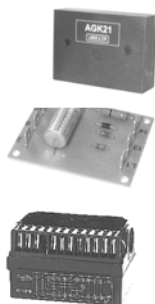
**Electrical connections**

refer to Data Sheet 7203

- Plug-in base AGK13
- Plug-in housing AGK56
- Cover AGK68

**Flame detectors**

- Photoresistive detectors QRB1... refer to Data Sheet 7714
- Blue-flame detectors QRC1... refer to Data Sheet 7716



**Pedestal** (empty housing)

**AGK21**

- To increase the overall height of the LOA...to that of the LAI... / LAB...

**Remote reset module**

**ARK21A27**

- For use with the LOA26... / LOA36... printed circuit board versions

**Adapter**

**KF8819**

- For replacing LAB1... / LAI... by LOA...
- No rewiring of plug-in base required

**Demo case**

**KF8891**

- For showing the functioning of burner controls
- Refer to Operating Instructions B7989

**Test case**, for making functional tests

**KF8843**

- For testing burner controls
- Refer to Operating Instructions B7986

**Test adapter**

**KF8885**

- For testing burner controls
- With switch for manual startup of burner
- With switch for simulating the oil preheater's release contact
- With 2 pairs of jacks for measuring the flame detector current
- Refer to Mounting Instructions C7981



**Test adapter**

**KF8833**

- For testing burner controls fitted to the burner
- With signal lamps for program indication
- With 2 jacks for measuring the flame detector current



**Test adapter**

**KF8840**

- For testing burner controls fitted to the burner
- With signal lamps for program indication
- With switch for simulating the flame signal
- With holes for checking the control voltages at the tabs of the burner control
- With 2 jacks for measuring the flame detector's resistance

## Technical data

General unit data	Mains voltage	AC 220 V –15 %...AC 240 V +10 % AC 100 V –15 %...AC 110 V +10 %
	Mains frequency	50...60 Hz ±6 %
	External primary fuse (Si)	10 A (fast)
	Power consumption	approx. 3 VA
	Degree of protection	IP 40, must be ensured through mounting
	Safety class	I
	Perm. cable lengths	max. 3 m with 100 pF/m line capacitance
	- Detector cable laid separately	max. 20 m
	- Remote reset laid separately	max. 20 m
	Mounting position	optional
	Weight	approx. 180 g
	Input current to	
	- Terminal 1	5 A (short-time 15 A for max. 0.5 s)
	- Terminal 3	5 A (excl. current draw of burner motor and oil preheater)

Max. perm. current at $\cos \varphi \geq 0.6$	Terminal 4	Terminal 5	Terminal 6	Terminal 7	Terminal 8	Terminal 10
LOA24.171B27	1 A	1 A	2 A	2 A	5 A	1 A
LOA24.171B17						
LOA24.571C27						
LOA25.173C27						
LOA25.173C17						
LOA28.173A27						
LOA24.173A27	1A	1 A	2 A	1.5 A	5 A	1 A
LOA24.174A27						
LOA26.171B27	1 A	1 A	2 A	0.1 A	5 A	1 A
LOA36.171A27						

Environmental conditions

<b>Transport</b>	DIN EN 60 721-3-2
Climatic conditions	class 2K2
Mechanical conditions	class 2M2
Temperature range	-50...+60 °C
Humidity	< 95 % r.h.
<b>Operation</b>	DIN EN 60 721-3-3
Climatic conditions	class 3K5
Mechanical conditions	class 3M2
Temperature range	-20...+60 °C
Humidity	< 95 % r.h.



**Condensation, formation of ice and ingress of water are not permitted!**

Flame detectors

For measuring circuits and detector cable lengths, refer to Data Sheets 7714 (QRB...) and 7716 (QRC...).

QRB...

Type of burner control	QRB... (typically)		
	Min. detector current required (with flame)	Max. perm. detector current (without flame)	Max. detector current possible (with flame)
LOA24.171B27 / LOA24.171B17	70 µA	5.5 µA	210 µA
LOA24.571C27			
LOA25.173C27 / LOA25.173C17			
LOA26.171B27			
LOA28.173A27			
LOA24.173A27	45 µA	5.5 µA	45 µA
LOA24.174A27			
LOA36.171A27	70 µA	5.5 µA	900 µA

QRC1...

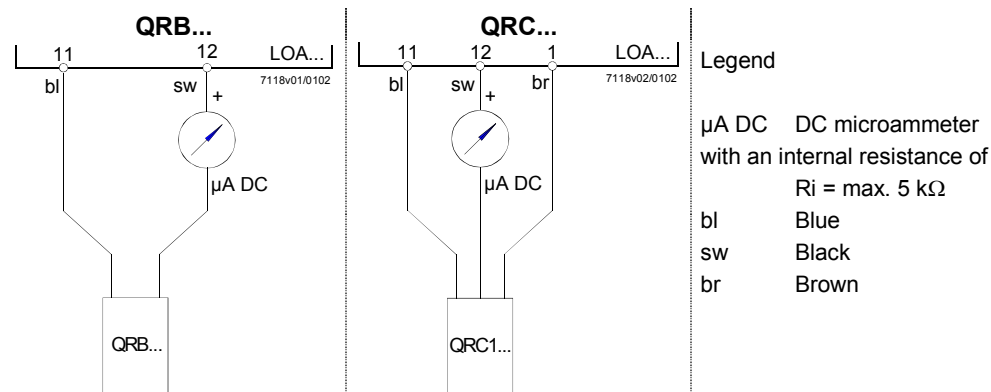
Type of burner control	QRC... (typically)		
	Min. detector current required (with flame)	Max. perm. detector current (without flame)	Max. detector current possible (with flame)
LOA24.171B27	70 µA	5.5 µA	110 µA
LOA24.571C27			
LOA26.171B27			
LOA24.171B17	70 µA	5.5 µA	90 µA
LOA25.173C27 <sup>1)</sup>	---	---	---
LOA25.173C17 <sup>1)</sup>			
LOA28.173A27 <sup>1)</sup>			
LOA24.173A27	45 µA	5.5 µA	45 µA
LOA24.174A27			
LOA36.171A27	70 µA	5.5 µA	110 µA

<sup>1)</sup> These types of LOA... may not be used in connection with QRC...blue-flame detectors

Data given in the above table only apply under the following conditions:

- Mains voltage AC 230 V
- Ambient temperature 23 °C

Measuring circuit for detector current



Only with LOA36...  
Indication of flame strength

Detector current LED lit	
- With QRB...	min. 60 µA ±15 %
- With QRC...	min. 40 µA ±15 %



## Function

- Preconditions for startup
- Burner control is reset
  - Contacts in the line are closed
  - No undervoltage
  - Flame detector is darkened, no extraneous light
- Undervoltage detection
- An additional electronic circuit ensures that if mains voltage drops below approximately AC 165 V, burner startup will be prevented, or – without release of oil – lockout will be triggered.
- Control sequence in the event of fault
- Whenever lockout occurs, the outputs for the fuel valves, the burner motor, oil preheater and ignition equipment will immediately be deactivated (< 1 second). The lockout indication lamp changes to red and terminal 10 («AL») for remote lockout indication receives voltage. This state is also maintained in the event of mains voltage failure.

Cause	Response
Mains voltage failure	New start
Extraneous light on burner startup	Lockout; with LOA25... / LOA28...: Prevention of start
No flame at the end of «TSA»	Lockout
Loss of flame during operation	Repetition

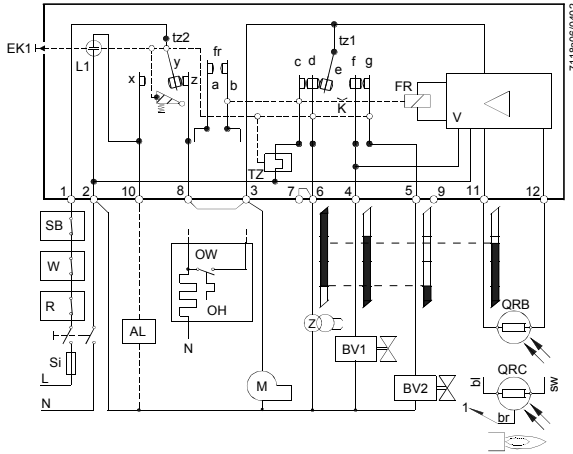
- Reset
- After lockout, the burner control can be reset after 60...90 seconds (also refer to «Warning notes»).

## Indications

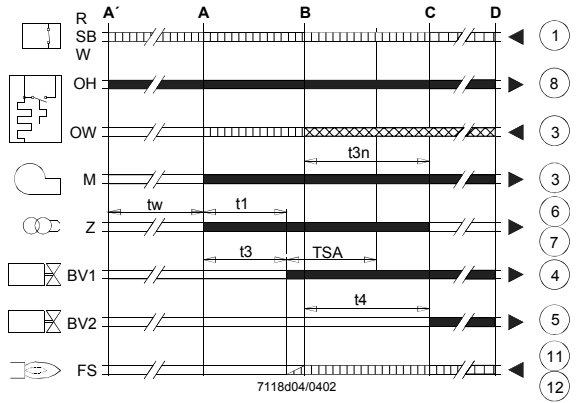
- Lockout position
- The lockout position is indicated with the lamp integrated in the lockout reset button.
- Flame strength
- Only with LOA36...
-  Indication of the flame strength (green LED) is used for checking the flame signal. To ensure reliable burner operation, this LED must be lit. If the green LED flickers or extinguishes during burner operation, the light conditions at the burner are poor, caused by dirt for instance.
- Operation
- Only with LOA36...
-  When the contacts of the control thermostat are closed, the orange LED is lit, indicating the start of the oil preheater's heating up phase (if present).

### Connection diagram and internal diagram

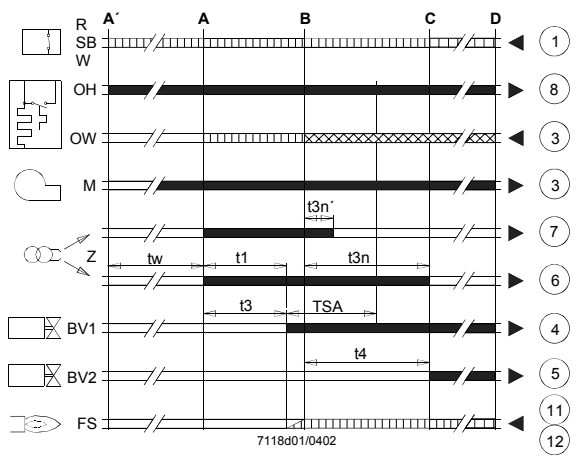
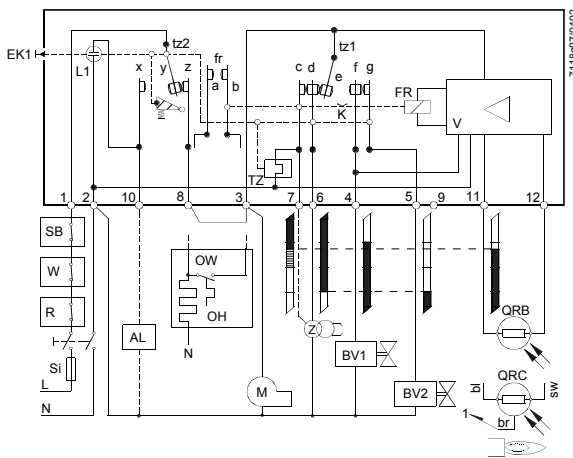
LOA24.171B27  
LOA24.171B17  
LOA24.571C27



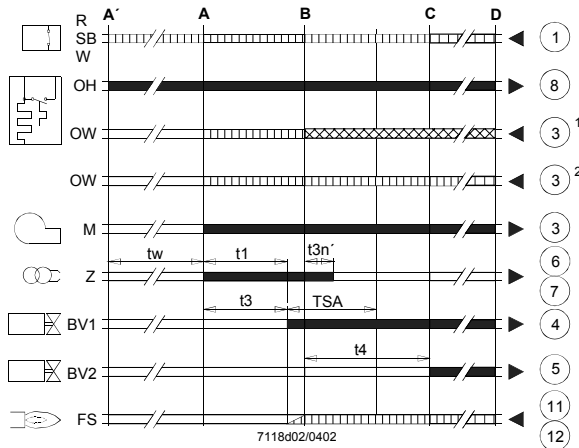
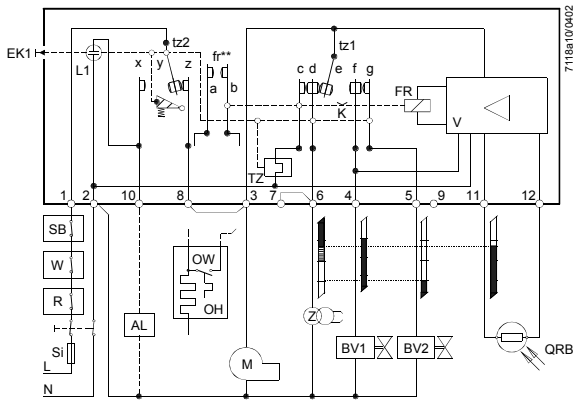
### Control sequence



LOA24.173A27  
LOA24.174A27



LOA25.173C27  
LOA25.173C17  
LOA28.173A27



fr\*\* Not provided with the LOA28.173A27

- 1) LOA25.173C27 / LOA25.173C17
- 2) LOA28.173A27

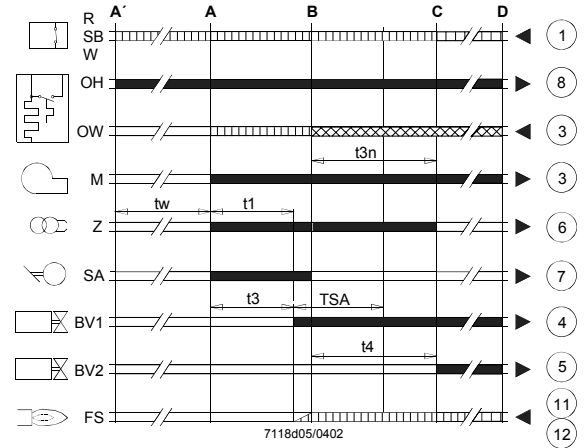
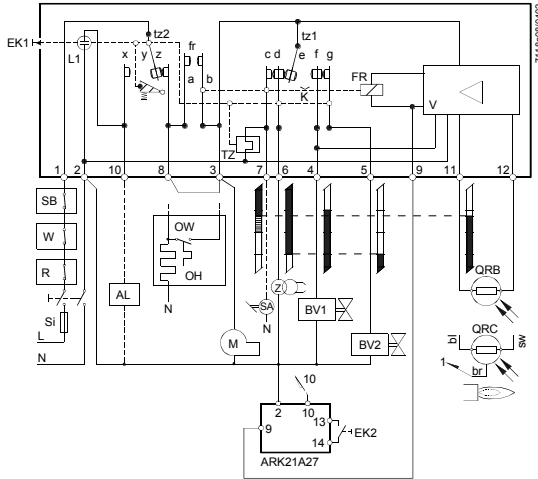


## Connection diagram and internal diagram

## Control sequence

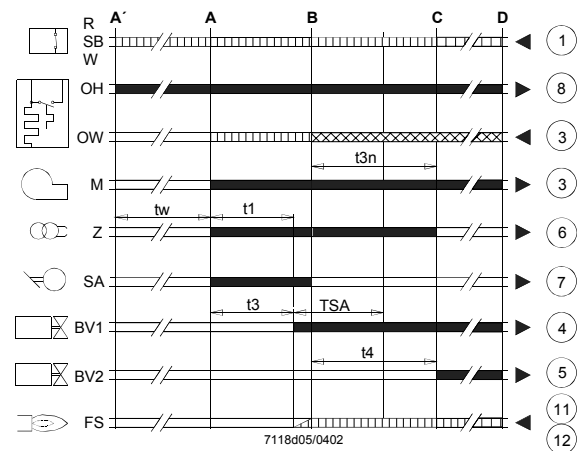
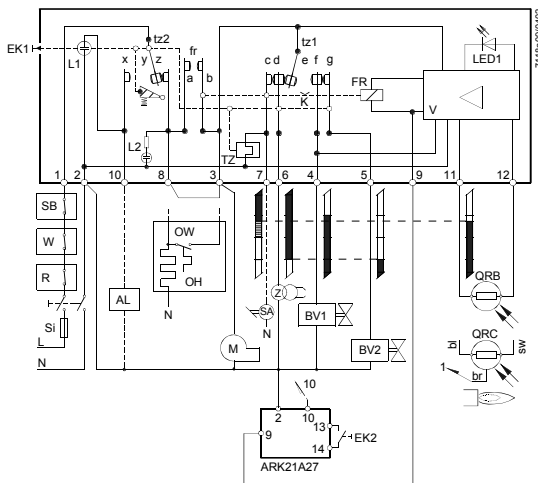
LOA26.171B27

With ARK21  
remote lockout  
reset module



LOA36.171A27

With ARK21  
remote lockout  
reset module



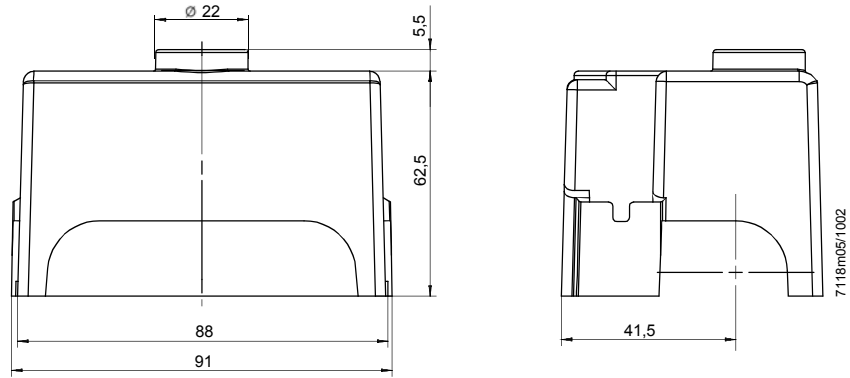
### Legend

AL	Alarm device	OW	Release contact of oil preheater
BV...	Fuel valve	OH	Oil preheater
EK1	Lockout reset button	QRB	Photoresistive detector
EK2	Remote lockout reset button	QRC	Blue-flame detector
FR	Flame relay with contacts «fr»		bl = blue, br = brown, sw = black
fr	Bridging contact for release contact of «OH»	R	Control thermostat or pressurestat
FS	Flame signal	SA	Actuator with automatic setback
K	Catch of flame relay for locking contact «tz1» in the event of premature flame signals or for locking the contact when the flame signal is correct	SB	Safety limit thermostat
L1	Indication of faults (red)	Si	External primary fuse
L2	Indication of operation (green)	TZ	Thermal-electric sequence switch
LED1	Indication of flame strength (green)	tz...	Contacts of «TZ»
M	Burner motor	W	Limit thermostat or pressure switch
		V	Flame signal amplifier
		Z	Ignition transformer
TSA	Ignition safety time	A'	Beginning of the startup sequence with burners using an «OH»
tw	Waiting time	A	Beginning of the startup sequence with burners using no «OH»
t1	Prepurge time	B	Time of flame establishment
t3	Preignition time	C	Running position
t3n	Long postignition time	D	Controlled shutdown by «R»
t3n'	Short postignition time		
t4	Interval between flame signal and release of «BV2»	■	Control signals delivered by the LOA...
		□□□□	Required input signals
		XXXX	Permissible input signals

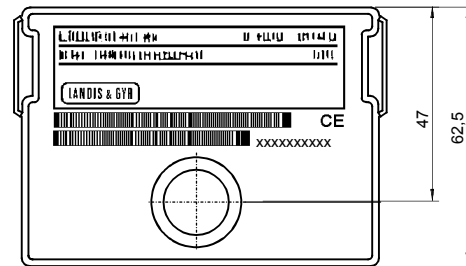
**Dimensions**

Dimensions in mm

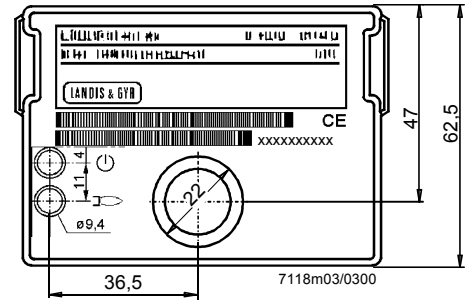
LOA...



LOA2...



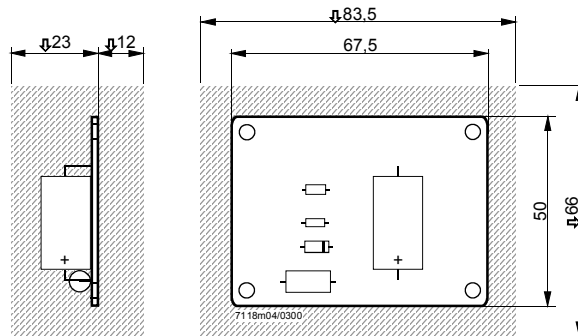
LOA3...



Status indication, orange

Indication of flame strength, green

Remote lockout reset module ARK21A27



Remote lockout reset module for use with the LOA26... / LOA36...

Printed circuit board with no housing.

Degree of protection IP 00, which means that protection against electric shock hazard must be ensured through mounting.

Do not place any metal objects in the hatched area.

The module must be fitted with the help of spacers made of plastic.

Do not use spacers made of metal.

© 2002 Siemens Building Technologies

Subject to change!